

Cable connector enclosure ZK IP 44

ZK – is a standing enclosure, designed for cable connectors, measuring or building switchgears.



Download product data sheet!

Type	Corrosivity category	Material / additional description	Coating
ZK-ZN	C3	galvanized steel sheet	RAL7035
ZK-AL	C3*	aluminum sheet	RAL7035

General information:

- Ingress protection according to IP code: 44
- Impact resistance according to IK code: 10
- Operating temperature range: -30 – +80°C

Basic data:

- Body: monobloc type, welded, riveted roof
- Closure: hinged door with 90° opening angle; the possibility of independent change of the door opening direction
- Mounting plate: in each version is made of 2 mm thick galvanized steel sheet; mounted on perforated brackets
- Cable entry: without bottom panel, with the possibility of mounting a blank cover
- Grounding: threaded grounding studs in the door and enclosure body

Description	Page
Locks	91
Mounting plates	99
Blank covers and base stands	118
Reinforced concrete foundations	129

Additional options:

- Unusual dimensions
- Punching in the door, body or mounting plate
- Painting to any color according to the RAL palette

The technical documentation is available on pages 162–163

The following table presents empty enclosures.

No.	Description - Dimensions (W × H × D mm)	No. of chambers	Catalogue No. ZK-ZN	Catalogue No. ZK-AL
1	ZK1 - 400 × 600 × 250	1	300-001	301-001
2	ZK1-W - 400 × 800 × 250	1	300-002	301-002
3	ZK1-P - 400 × 1200 × 250	2	300-003	301-003
4	ZK2 - 600 × 600 × 250	1	300-004	301-004
5	ZK2-W - 600 × 800 × 250	1	300-005	301-005
6	ZK2-P - 600 × 1200 × 250	2	300-006	301-006
7	ZK3 - 850 × 600 × 250	1	300-007	301-007
8	ZK3-W - 850 × 800 × 250	1	300-008	301-008
9	ZK3-P - 850 × 1200 × 250	2	300-009	301-009

Scope of delivery:

Assembled enclosure. Mounting plates, bottom blank covers, foundations must be ordered separately.



ZK
IP 44



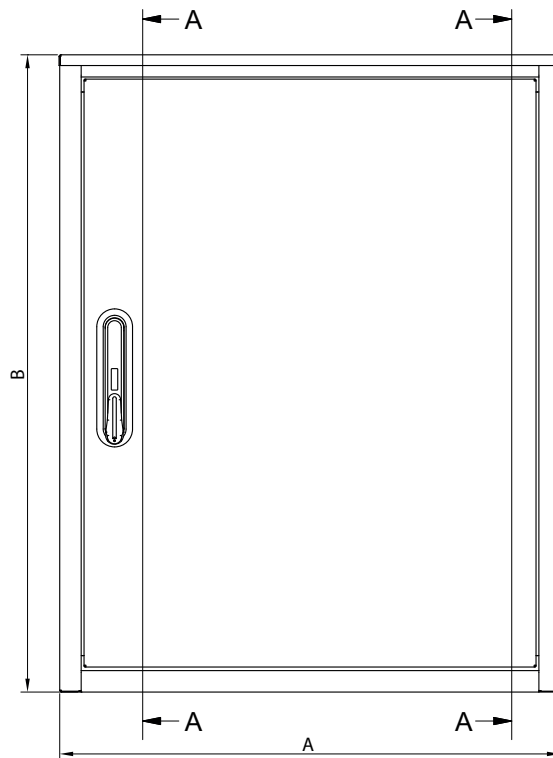
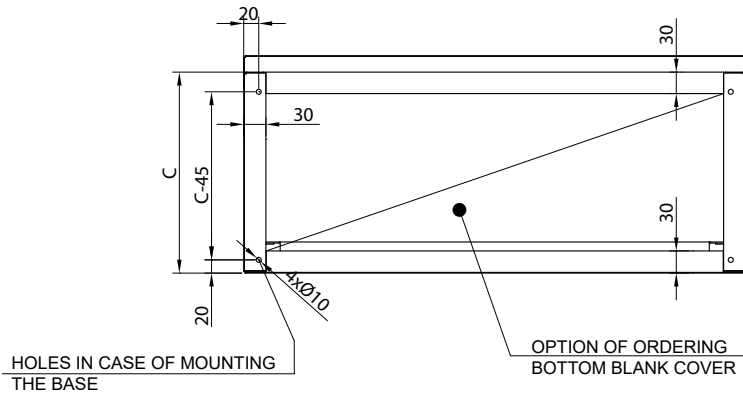
Construction site enclosure **RB-O IP 44**

The following table presents enclosures according to the description.

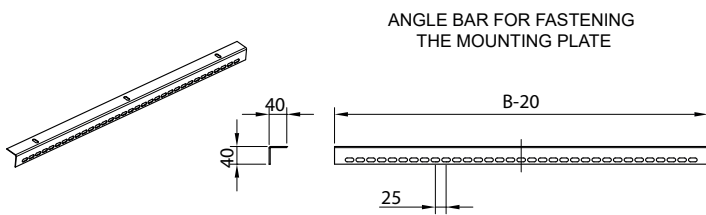
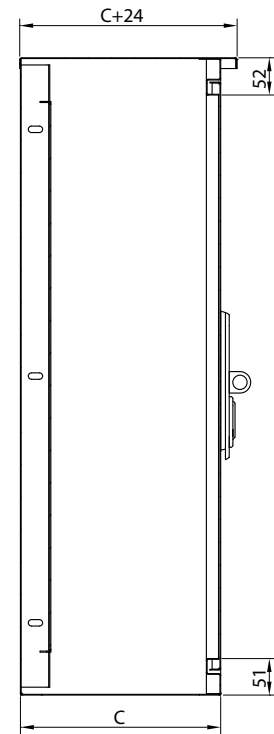
No.	Description - Dimensions (W × H × D mm)	Catalogue No. RB-O-NG	Catalogue No. RB-O-SN
1	RB1 - (ZK1) - 400 × 600 × 250	310-001	311-001
2	RB2 - (ZK2) - 600 × 600 × 250	310-002	311-002
3	RB2-W - (ZK2) - 600 × 800 × 250	310-003	311-003
4	RB3 - (ZK3) - 850 × 600 × 250	310-004	311-004
5	RB3-W - (ZK3) - 850 × 800 × 250	310-005	311-005

Scope of delivery:

The package contains a set of elements forming RB enclosure with a set of standardized parts to be screwed together.

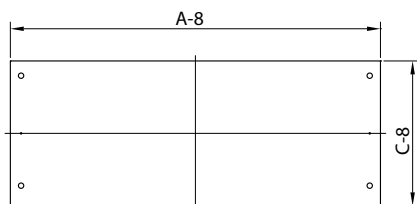


A-A

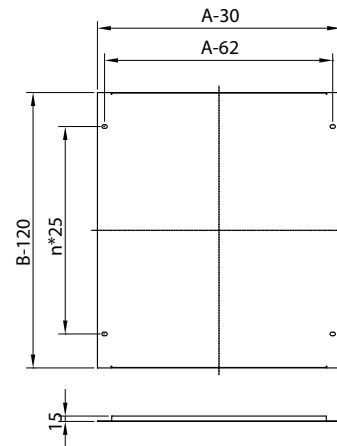


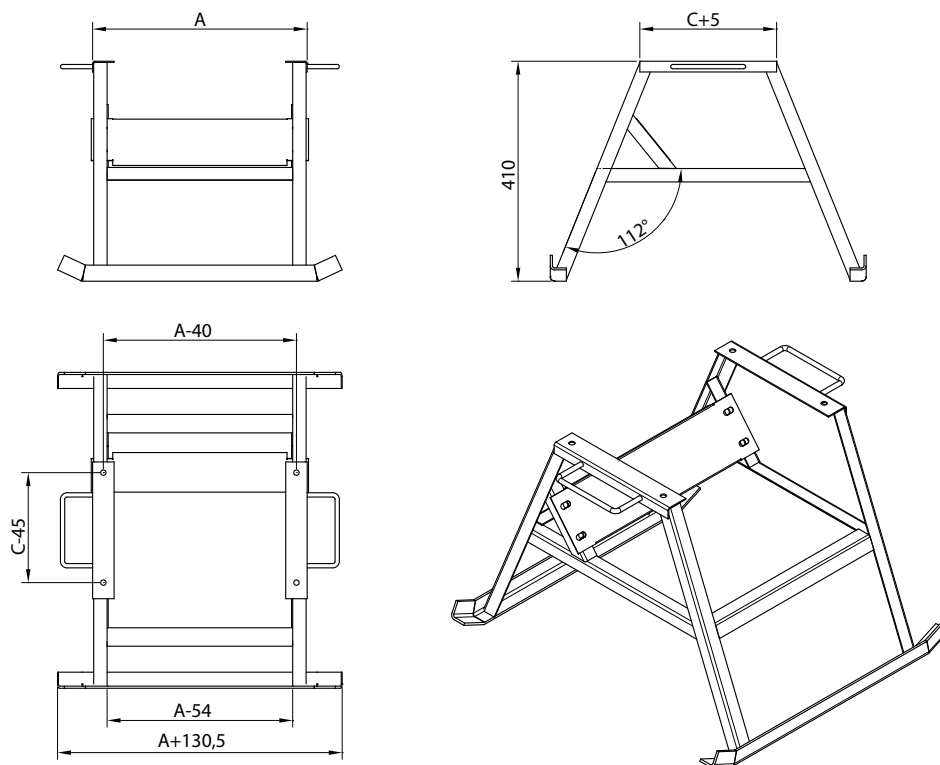
ANGLE BAR FOR FASTENING THE MOUNTING PLATE

ZD-ZK - BOTTOM BLANK COVER

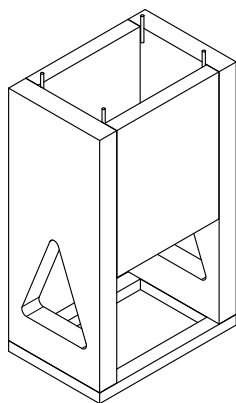
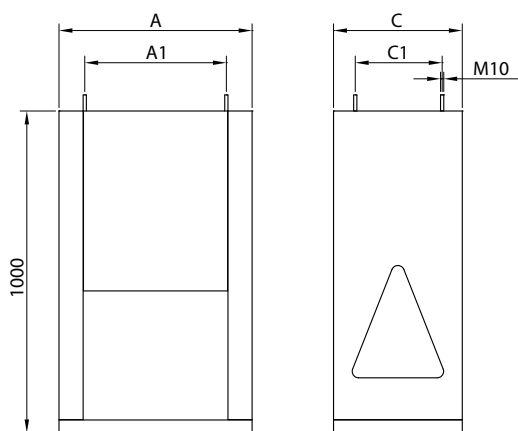


MOUNTING PLATE





REINFORCED BASE STAND FOR ZK



WIDTH x DEPTH A x C	PINS SPACING A1 x C1
400 x 250	240 x 130
500 x 250	340 x 130
600 x 250	440 x 130
800 x 250	660 x 130
850 x 250	690 x 130
1000 x 250	845 x 130
400 x 400	240 x 270
500 x 400	340 x 270
600 x 400	440 x 270
800 x 400	660 x 270
850 x 400	690 x 270
1000 x 400	845 x 270
1250 x 400	COMBINED WITH 850+400

REINFORCED CONCRETE FOUNDATION