



## Terminal box OZ IP 66

OZ – is a small wall-mounted enclosure with compact dimensions and high tightness. The standard offer includes 24 dimensions. Tables with catalogue numbers are available on the following pages of the catalogue.



[Download product data sheet!](#)

Description	Page
DIN rails TS-35	94
Mounting plates	94
Modular covers	94
Wall brackets	130
Ventilation	81

Type	Corrosivity category	Material / additional description	Coating
OZ-ST	C2	steel sheet	RAL7035
OZ-ZN	C3	steel sheet + epoxy primer	RAL7035
OZ-AL	C3*	aluminum sheet	RAL7035
OZ-OH	C4**	stainless steel 1.4301 (AISI 304)	BRUSHED
OZ-KO	CX**	acid-proof steel 1.4404 (AISI 316L)	BRUSHED

### General information:

- Ingress protection according to IP code: 66
- Impact resistance according to IK code: 08
- Operating temperature range: -30°C – +80°C

### Basic data:

- Body: monobloc type, welded
- Closure: cover closed with four screws (1/4 turn – fast closure) provided with lock washers to ensure tight closing
- Grounding: threaded grounding studs in the cover and enclosure body
- Other information: There are perforated angle bars inside the enclosure for mounting TS-35 rail or mounting plate.

### Additional options:

- Increase of the operating temperature range from -50 to +120°C
- Unusual dimensions
- Punching in the door, body or mounting plate
- Painting to any color according to the RAL palette

The technical documentation is available on pages 140–141

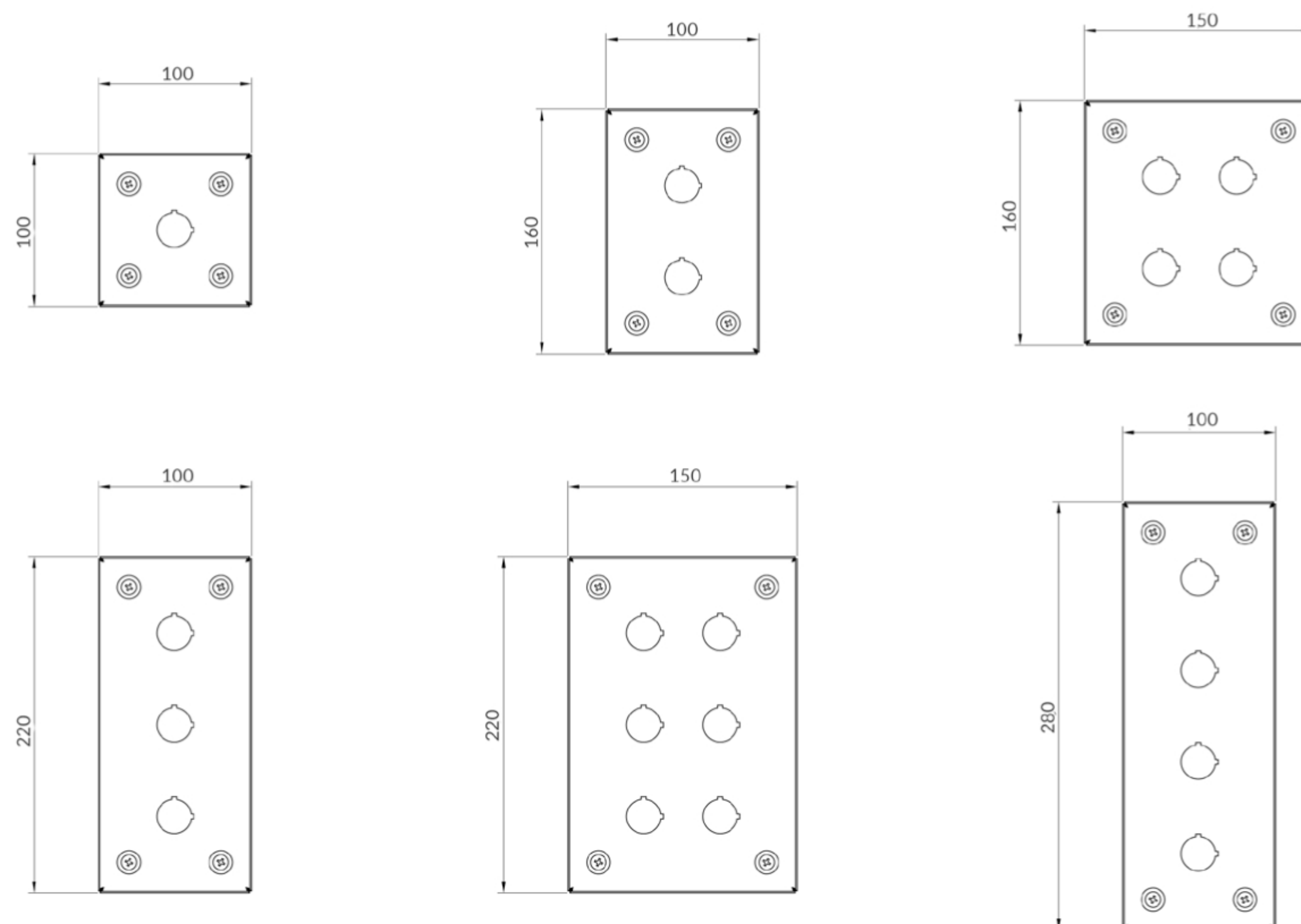


The following table presents empty enclosures.

No.	Dimensions (W × H × D mm)	Catalogue No. OZ-ST	Catalogue No. OZ-ZN	Catalogue No. OZ-AL	Catalogue No. OZ-OH	Catalogue No. OZ-KO
1	150 × 150 × 80	170-001	170-101	170-201	171-001	172-001
2	200 × 150 × 80	170-002	170-102	170-202	171-002	172-002
3	200 × 200 × 80	170-003	170-103	170-203	171-003	172-003
4	200 × 250 × 80	170-004	170-104	170-204	171-004	172-004
5	250 × 250 × 80	170-005	170-105	170-205	171-005	172-005
6	250 × 300 × 80	170-006	170-106	170-206	171-006	172-006
7	300 × 300 × 80	170-007	170-107	170-207	171-007	172-007
8	400 × 300 × 80	170-008	170-108	170-208	171-008	172-008
9	150 × 150 × 100	170-009	170-109	170-209	171-009	172-009
10	200 × 150 × 100	170-010	170-110	170-210	171-010	172-010
11	200 × 200 × 100	170-011	170-111	170-211	171-011	172-011
12	200 × 250 × 100	170-012	170-112	170-212	171-012	172-012
13	250 × 250 × 100	170-013	170-113	170-213	171-013	172-013
14	250 × 300 × 100	170-014	170-114	170-214	171-014	172-014
15	300 × 300 × 100	170-015	170-115	170-215	171-015	172-015
16	400 × 300 × 100	170-016	170-116	170-216	171-016	172-016
17	150 × 150 × 120	170-017	170-117	170-217	171-017	172-017
18	200 × 150 × 120	170-018	170-118	170-218	171-018	172-018
19	200 × 200 × 120	170-019	170-119	170-219	171-019	172-019
20	200 × 250 × 120	170-020	170-120	170-220	171-020	172-020
21	250 × 250 × 120	170-021	170-121	170-221	171-021	172-021
22	250 × 300 × 120	170-022	170-122	170-222	171-022	172-022
23	300 × 300 × 120	170-023	170-123	170-223	171-023	172-023
24	400 × 300 × 120	170-024	170-124	170-224	171-024	172-024

The following table presents empty enclosures with door punching for universal buttons.

No.	Dimensions (W × H × D mm)	Number of holes in the cover	Catalogue No. OZ-OH-P
1	100 × 100 × 100	1	174-001
2	100 × 160 × 100	2	174-002
3	100 × 220 × 100	3	174-003
4	100 × 280 × 100	4	174-004
5	150 × 160 × 120	4	174-005
6	150 × 220 × 120	6	174-006



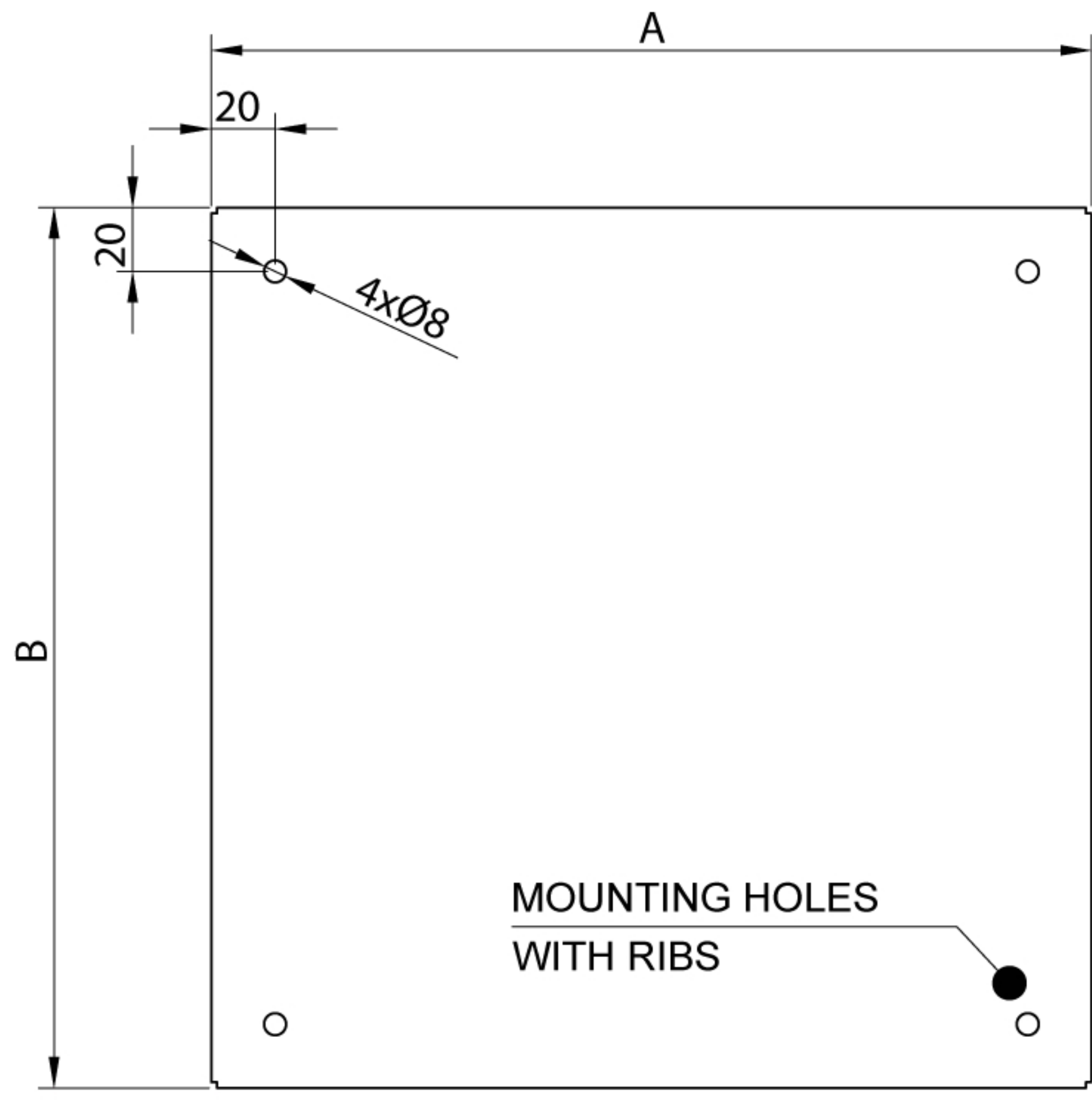
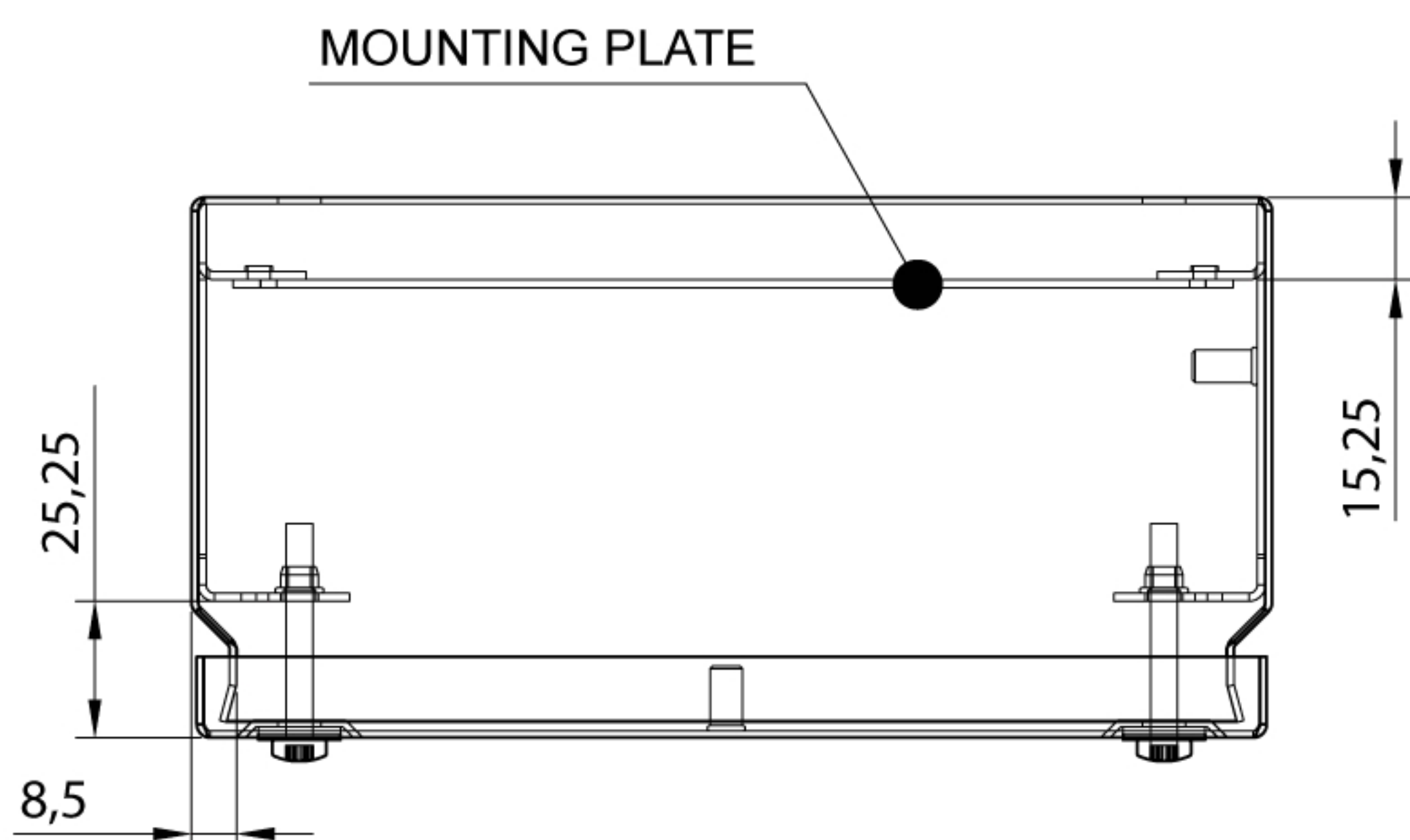
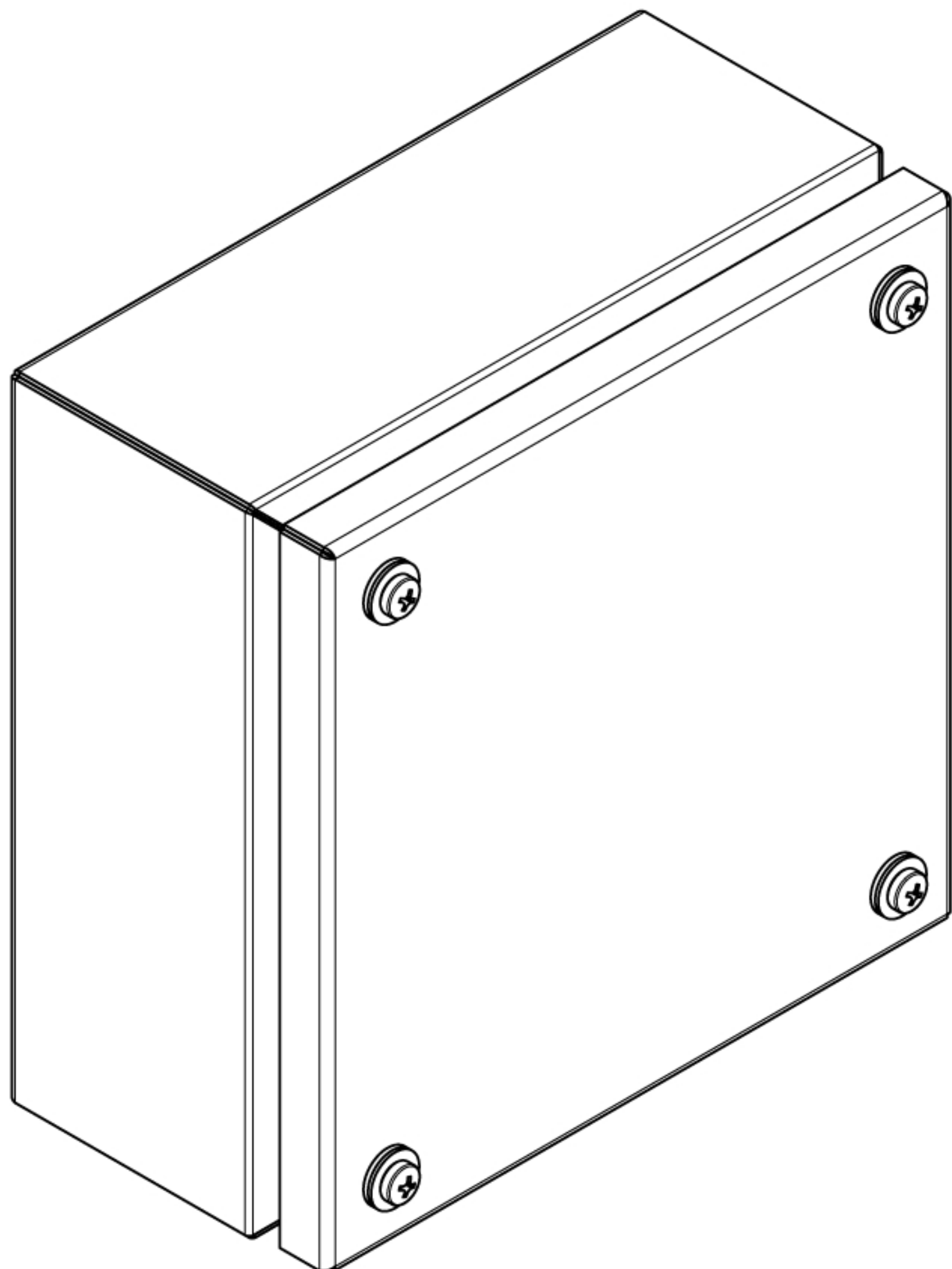
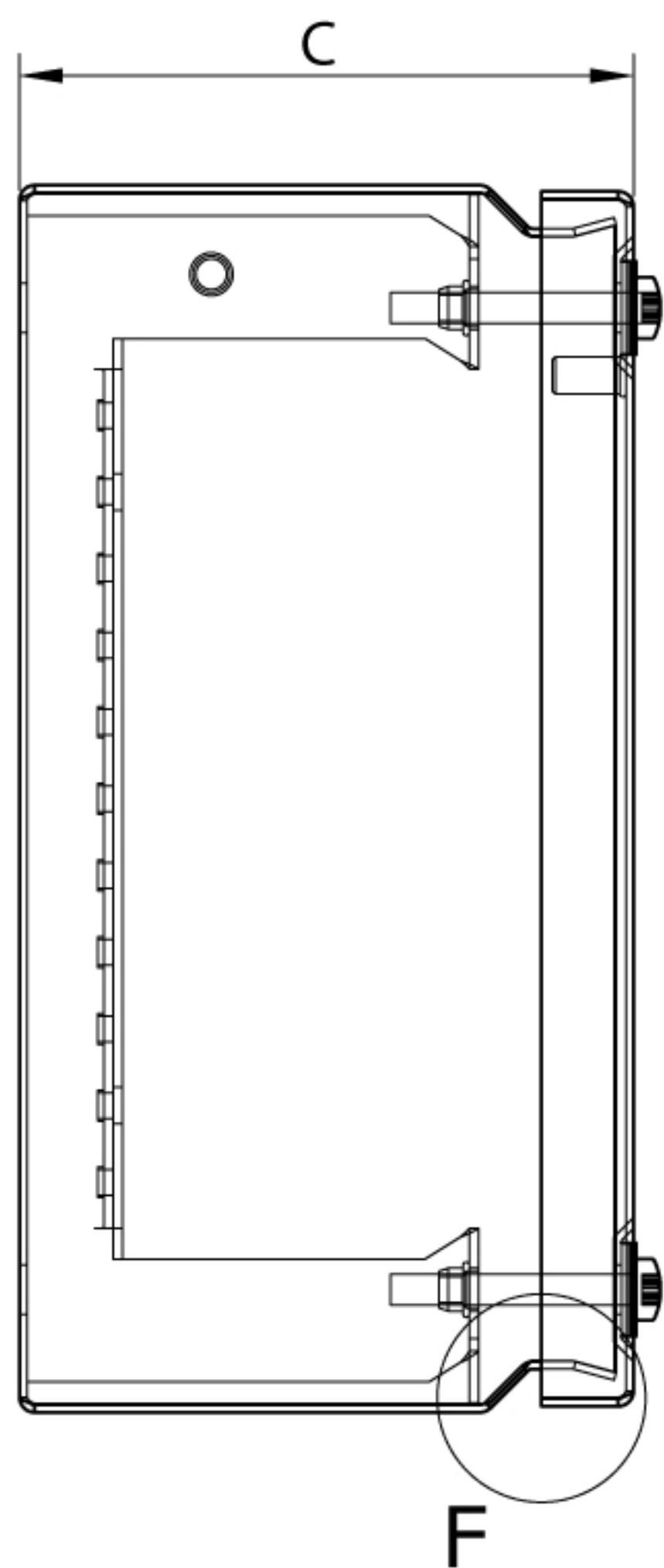
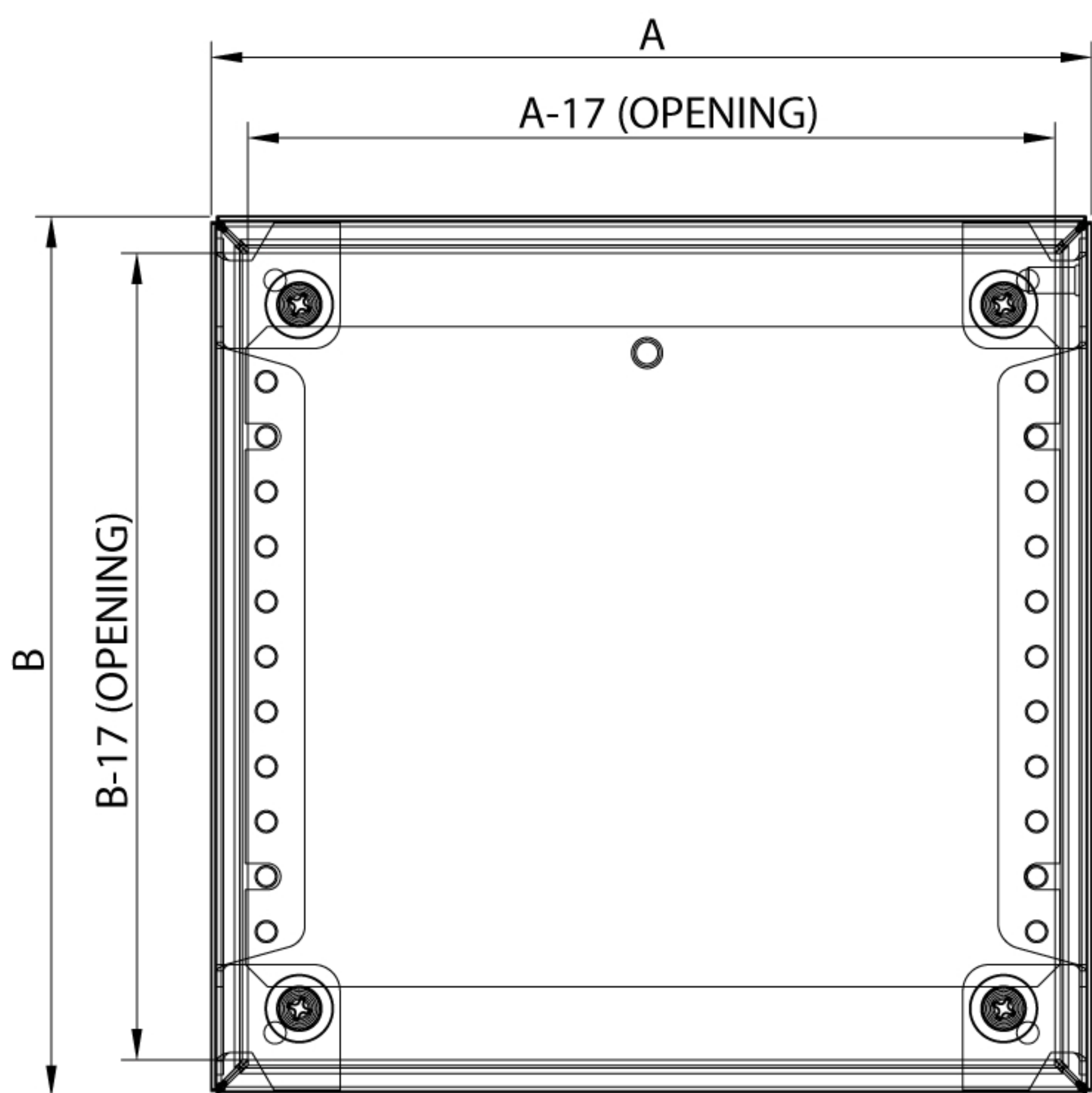
Pushbutton enclosures



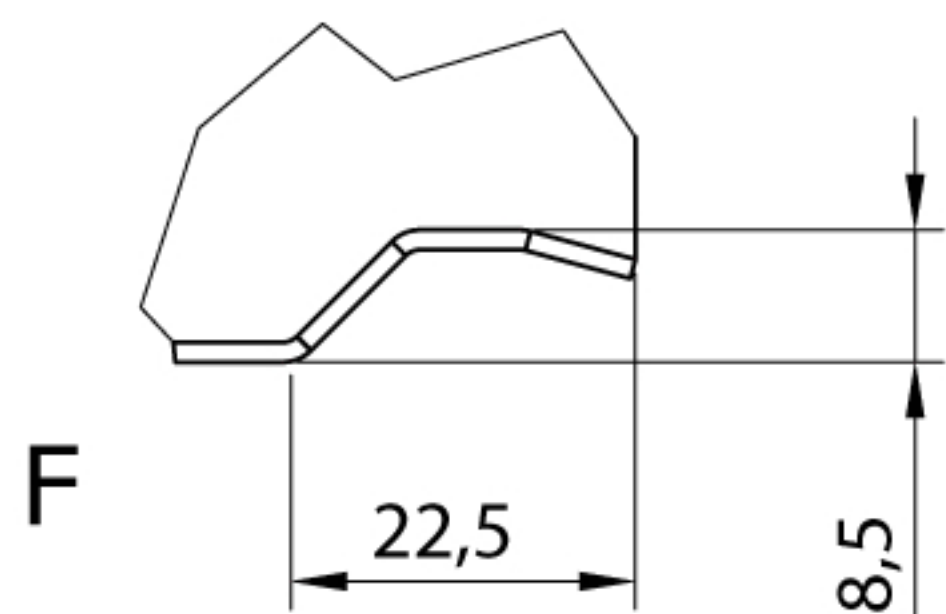
**OZ**  
IP 66

Scope of delivery:  
Assembled enclosure without mounting plate, TS-35 rail and modular cover.

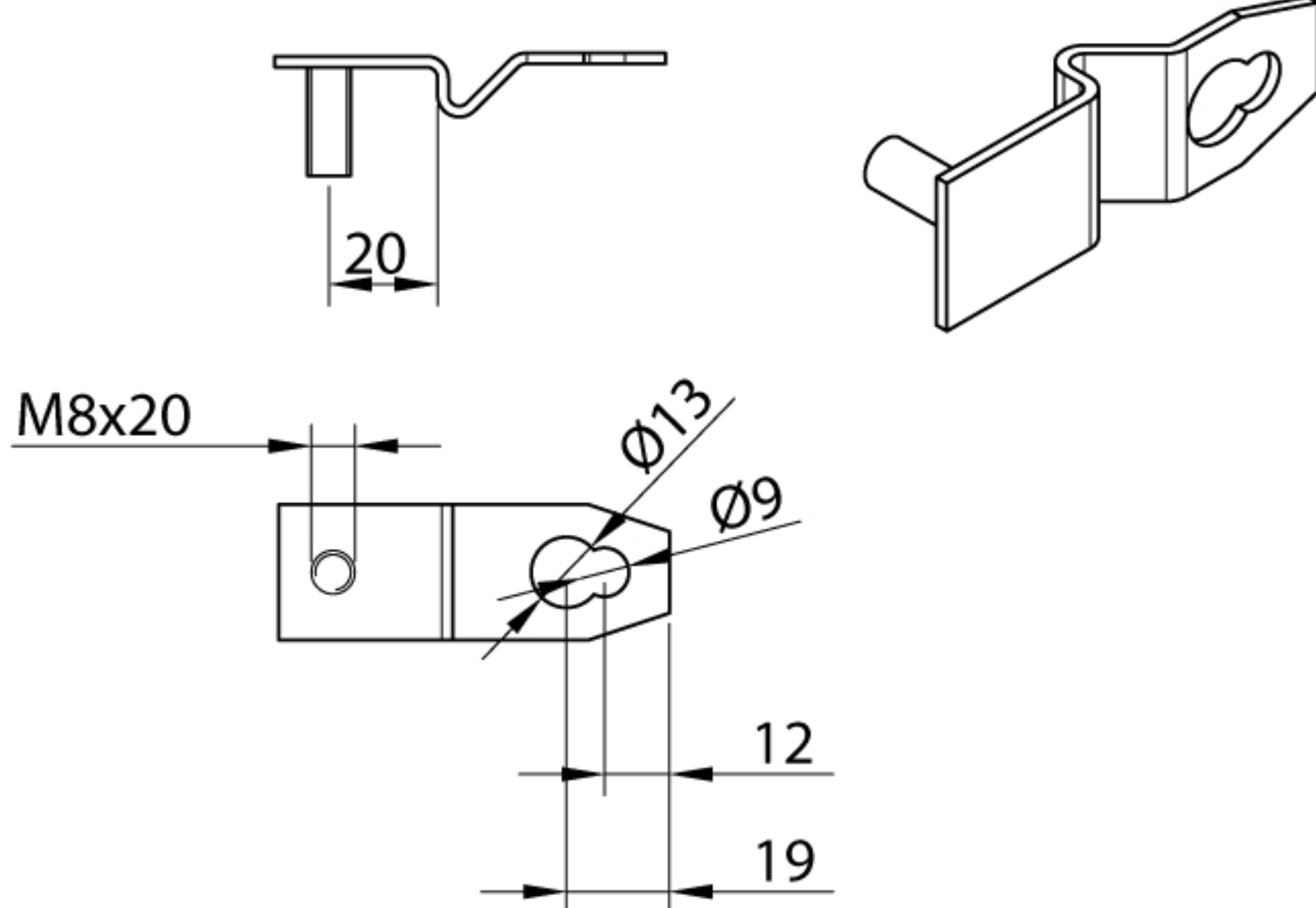




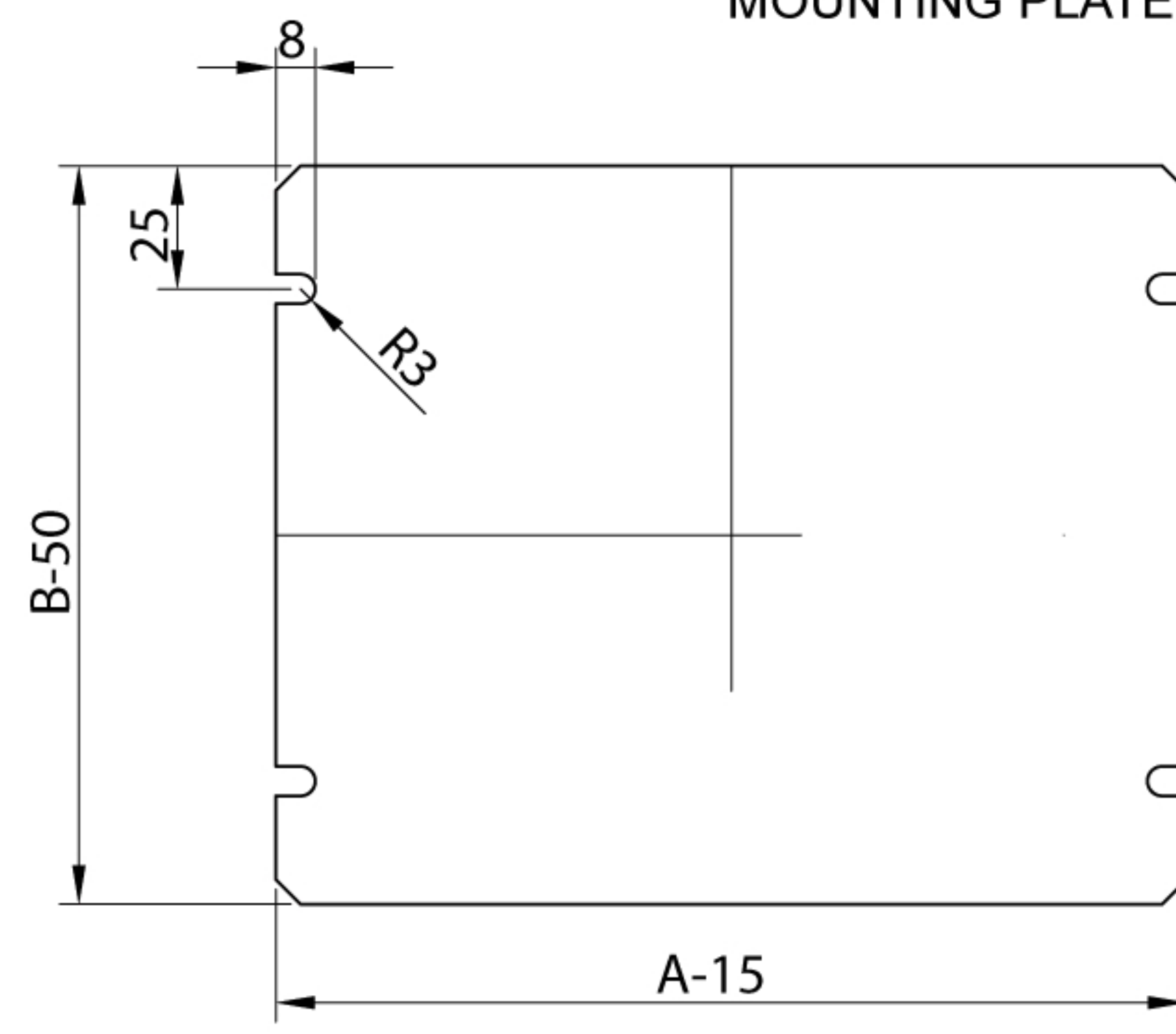
REAR VIEW



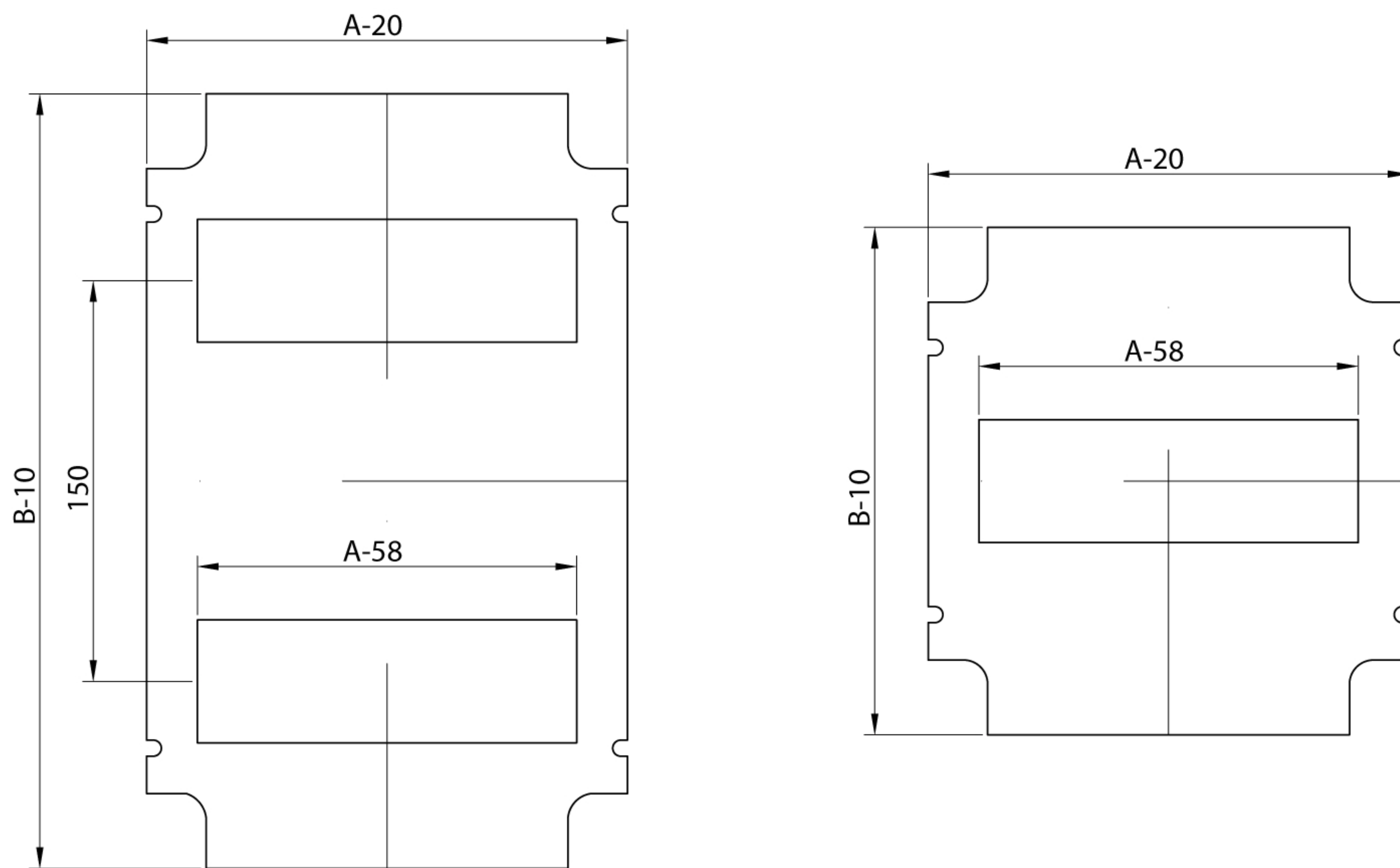
WALL BRACKET UN-1  
4 PCS FOR 1 ENCLOSURE



MOUNTING PLATE



MODULAR COVERS



TS RAIL

