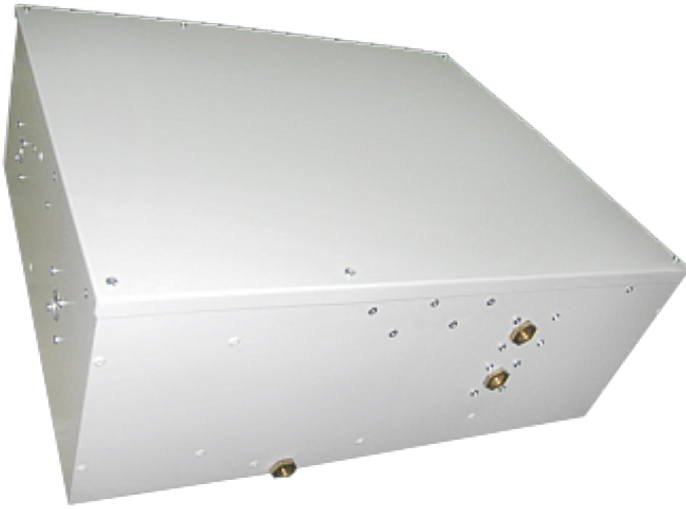


## Air -/ Water Heat Exchanger RK 2200-230V



### Product Description

<b>Order Number:</b>	2200000
<b>Colour:</b>	RAL 7035
<b>Protection category IP (IEC 60 529):</b>	IP 54
<b>Note:</b>	With thermostatic controlled solenoid valve
<b>Approvals:</b>	CE, cURus
<b>Customs tariff number:</b>	84195000
<b>Material housing:</b>	Mild steel, powder coated

## Technical data RK 2200-230V

<b>Cooling capacity L35W10 (200 l/h):</b>	2,75 kW @ 50 Hz (500 l/h) 2,75 kW @ 60 Hz (500 l/h)
<b>Refrigerant:</b>	Water, light oils or similar
<b>Operating temperature range:</b>	+1°C - +72°C
<b>Max. air volume flow:</b>	640 m³/h @ 50 Hz / 700 m³/h @ 60 Hz
<b>Mounting:</b>	Roof mounted
<b>Dimensions (H x W x D):</b>	230 x 600 x 500 mm
<b>Weight:</b>	20 kg
<b>Rated operating voltage / frequency:</b>	230 V 50/60 Hz ~N
<b>Rated current:</b>	0.75 A / 1.0 A
<b>Starting current:</b>	2.3 A
<b>Power consumption:</b>	160 W / 215 W
<b>Max. Working pressure water circuit:</b>	10 bar
<b>Water connection:</b>	Rp 1/4" - inside thread with 2 connectors for pipe internal diameter of 10 mm
<b>Fuse rating:</b>	2 A (T)
<b>Connection:</b>	Connection terminals

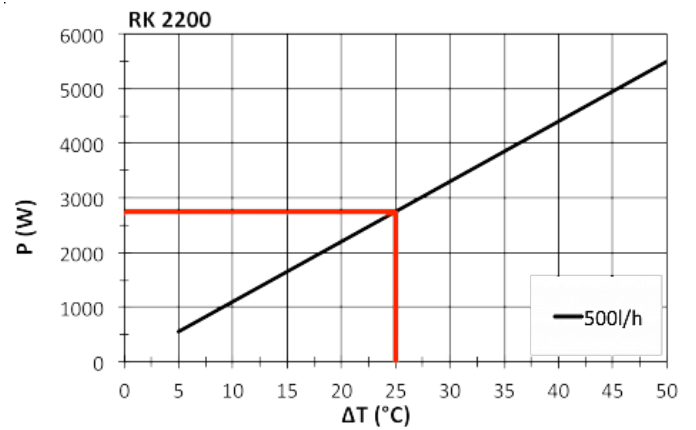
Click the graphics to download the originals.

More CAD graphics can be found on our [Products Downloads page](#).

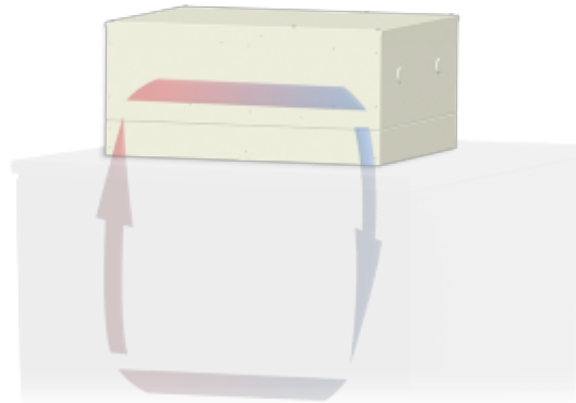
> [Overview product group Air-Water Heat Exchangers](#)

**Performance Graph:**

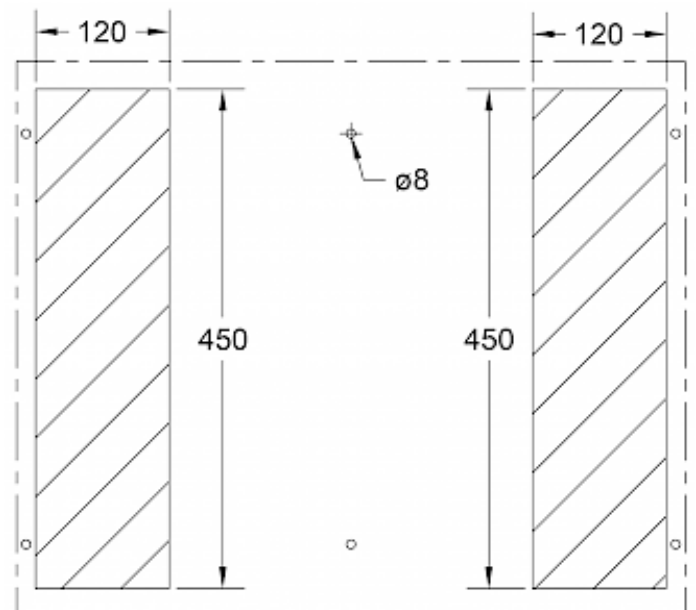
T = Temperature difference between air intake and cooling  
 P = Cooling capacity



click image to enlarge

**Airflow diagram:**


click image to enlarge

**Cutout diagram:**


click image to enlarge

[Datasheet](#) created 23.07.2015 (10:26:33). Technical rights reserved.