

Air -/ Water Heat Exchanger RK 2114 A 400-24V



Product Description

| | |
|---|------------------------------------|
| Order Number: | 2114303 |
| Colour: | RAL 7035 |
| Protection category IP (IEC 60 529): | IP 54 |
| Add-ons: | Stainless steel, part no. 21143032 |
| Approvals: | CE |
| Customs tariff number: | 84195000 |
| Material housing: | Mild steel, powder coated |

Technical data RK 2114 A 400-24V

| | |
|---|---|
| Cooling capacity L35W10 (200 l/h): | 650 W @ 50 Hz |
| Cooling capacity L35W10 (500 l/h): | 750 W @ 50 Hz |
| Refrigerant: | Water, light oils or similar |
| Operating temperature range: | +1°C - +72°C |
| Max. air volume flow: | 190 m³/h |
| Mounting: | Internal / External |
| Dimensions (H x W x D): | 400 x 212 x 80 mm |
| Weight: | 4.5 kg |
| Rated operating voltage / frequency: | 24 V DC |
| Rated current: | 2.0 A |
| Starting current: | 6.8 A |
| Power consumption: | 50 W |
| Max. Working pressure water circuit: | 10 bar |
| Water connection: | Rp 1/4" - inside thread with 2 connectors for pipe internal diameter of 10 mm |
| Fuse rating: | 10 A (T) |
| Connection: | 3 m cable ready for connection |

Click the graphics to download the originals.

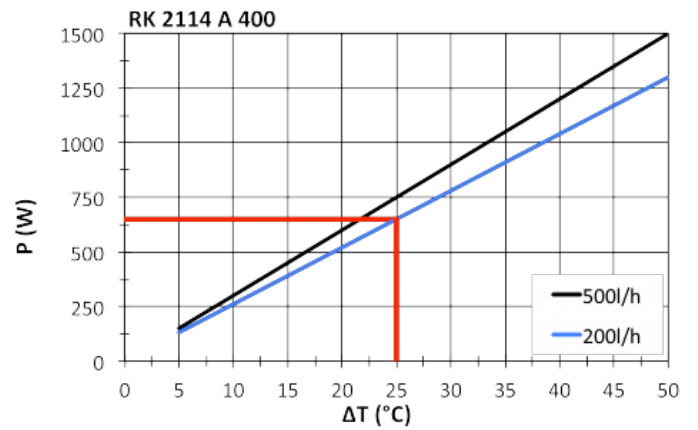
More CAD graphics can be found on our [Products Downloads page](#).

> [Overview product group Air-Water Heat Exchangers](#)

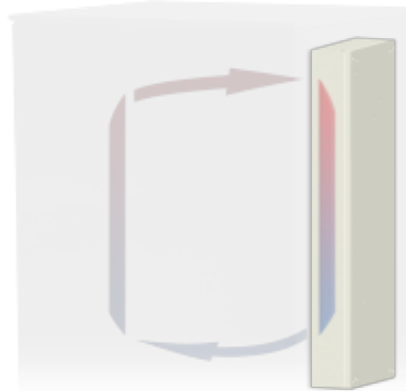
Performance Graph:

T = Temperature difference between ambient and internal temperature

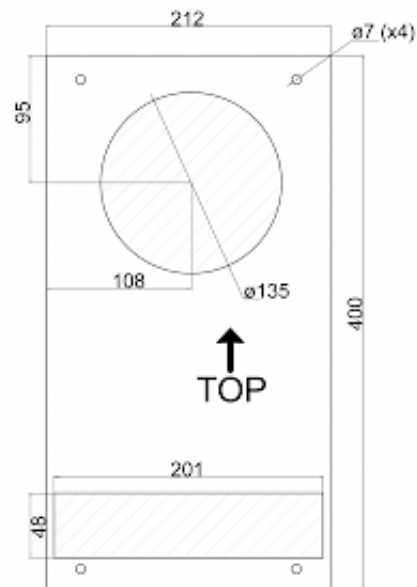
P = Cooling Capacity



[click image to enlarge](#)

Airflow diagram:


[click image to enlarge](#)

Cutout diagram:


[click image to enlarge](#)

[Datasheet](#) created 22.07.2015 (15:07:53). Technical rights reserved.